

Instruction Manual for FrSky Lipo Voltage Sensor

1. Specifications

Model: FLVS-01

Dimension: 45*21*7mm

Weight: 5.2g

Measurement range: 1S~6S (The first lipo voltage should be more than 3.55V)

Cell voltage display range: 0.20~4.20V

Voltage display resolution: 0.01V

Voltage detection precision: 0.05V

Current of the board: 15.5mA

Operating temperature range: -30°C~70°C

Pixel: 128*64 with OLED display screen

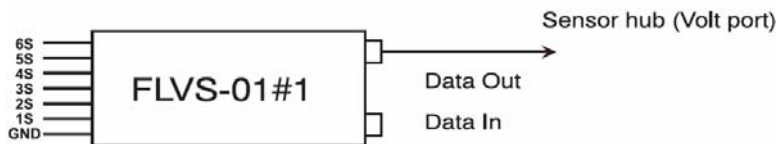


2. Set Up

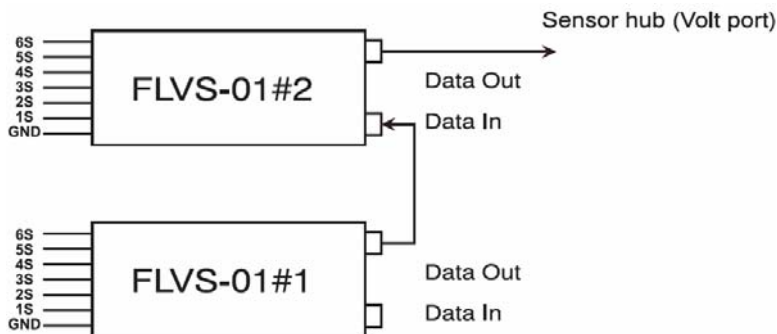
2.1 FrSky Lipo Voltage Sensor can be used as a lipo voltage detector. OLED screen displays total voltage and cell voltages as connected.

2.2 Two FrSky Lipo Voltage Sensors can be combined to detect at most 12S.

2.2.1 How to detect and display 1S~6S



2.2.2 How to detect and display at most 12S



2.3 Connect "Data Out" port of FrSky Lipo Voltage Sensor to sensor hub by provided cable, Data Screen-3 of FLD-02 and/or DHT-U display total voltage and cell voltages as connected. (see * **Note** below)

* **Note:**

When FLVS-01 works with sensor hub and FLD-02/DHT-U to display total voltage and cell voltages as connected, please refer to below points:

1, Upgrade sensor hub to version2.0

Driver for XP/ Win7 Vista: <http://www.frsky-rc.com/download.asp?id=22>

FSH-01 Upgrade ROM_V2.0: <http://www.frsky-rc.com/download.asp?id=22>

How-to_sensor hub upgrade: <http://www.frsky-rc.com/download.asp?id=22>

2, Upgrade DHT-U to version2.0

Driver for XP/ Win7 Vista: <http://www.frsky-rc.com/download.asp?id=22>

DHT-U Upgrade ROM_V2.0: <http://www.frsky-rc.com/download.asp?id=23>

How-to_DHT-U upgrade: <http://www.frsky-rc.com/download.asp?id=23>

3, Current FLD-02 displays 6S at most. If 12S display is required, new firmware will be required.